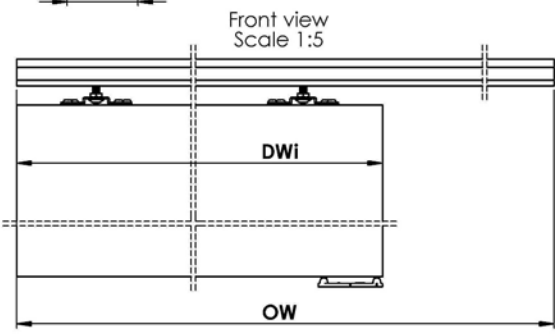
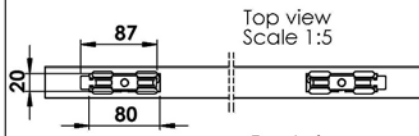
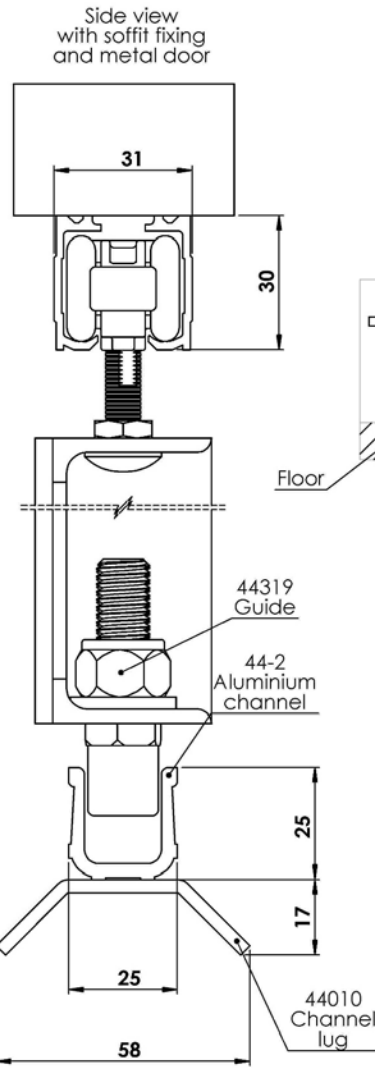
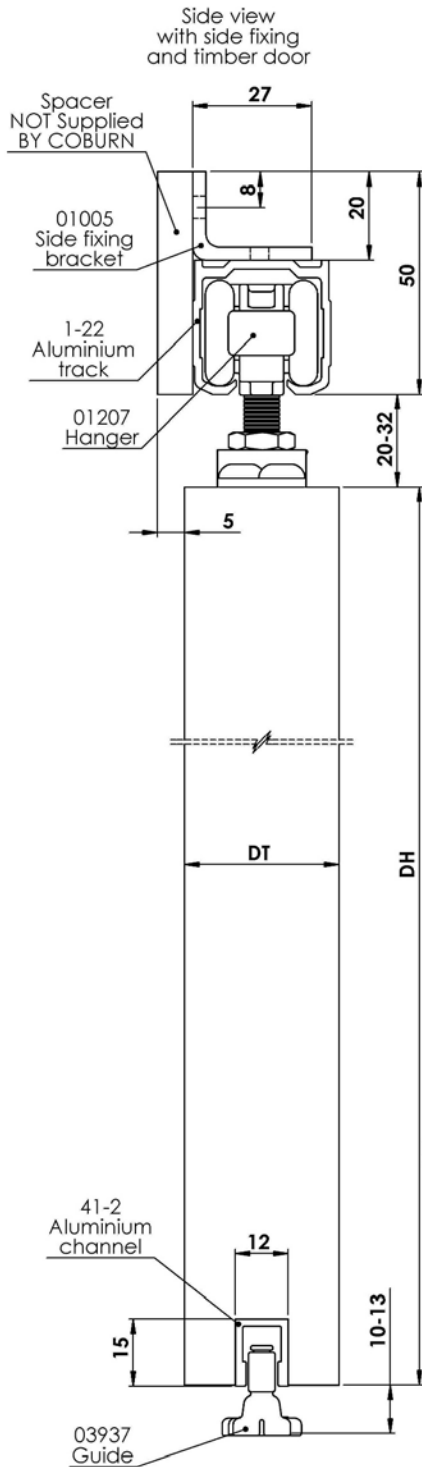


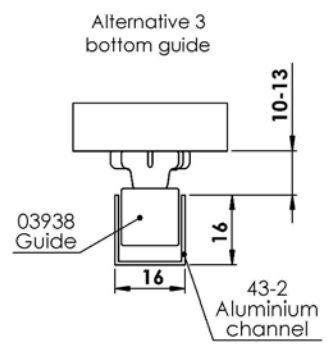
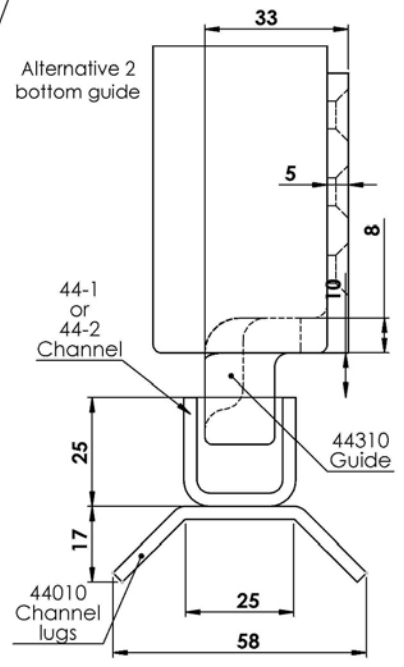
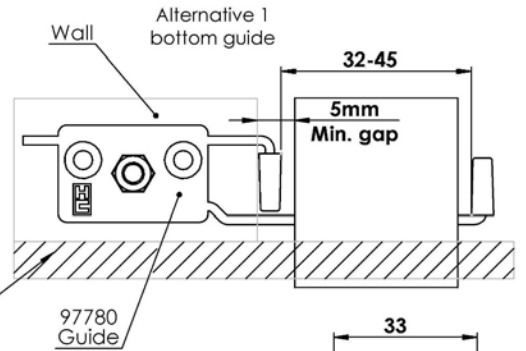
STRAIGHTAWAY 100

FITTING INSTRUCTIONS

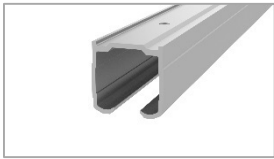
STRAIGHTAWAY 100



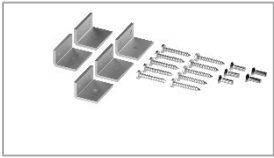
Maximum door weight 100kg
 DH - Door height, 2500mm
 DWi - Door width
 DT - Door thickness, between 20mm and 50mm
 OW - Opening width
 OH - Opening Height



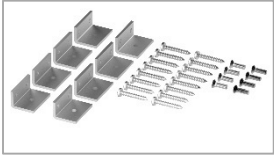
ACCESSORIES



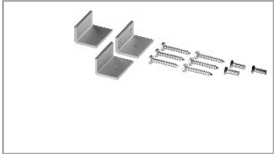
12215-18-21-24-30 – ALUMINIUM TRACK



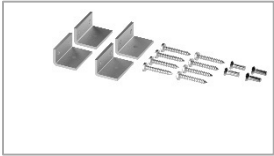
01005 – ALUMINIUM SIDE FIXING BRACKET - PACK OF 5



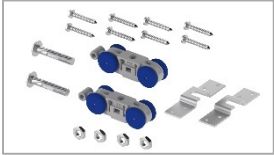
01008 – ALUMINIUM SIDE FIXING BRACKET - PACK OF 8



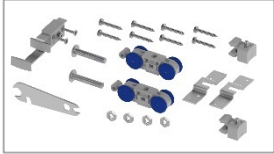
01030 – ALUMINIUM SIDE FIXING BRACKET - PACK OF 3



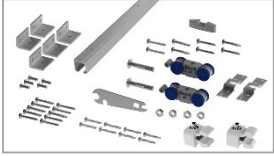
01040 – ALUMINIUM SIDE FIXING BRACKET - PACK OF 4



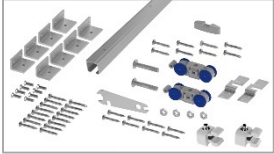
01207 – HANGER PACK



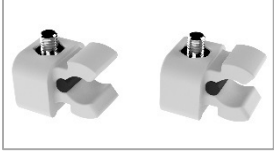
01208 – ONE DOOR COMPONENT PACK



01218 – 1 DOOR TRACKSET - 1800mm TRACK



01224 – 1 DOOR TRACKSET - 2400mm TRACK



01725 – TRACK END PIECE - PACK



01220 – END CAPS FOR 1-22 TRACK - PACK

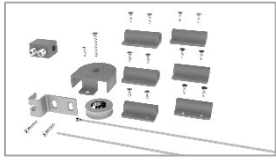


30611 – SIDE FIXING SOFT CLOSER KIT FOR 70 KG

ACCESSORIES



30613 – SOFFIT FIXING SOFT CLOSER KIT FOR 70 KG



30701 – SELF CLOSER KIT UP TO 100 KG



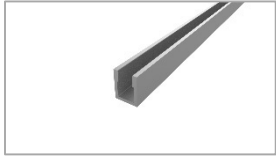
61401 – SIMULTANEOUS OPERATORS KIT FOR UP TO 800mm WIDE DOORS



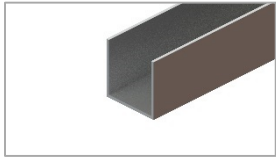
61403 – SIMULTANEOUS OPERATORS KIT FOR UP TO 1200mm WIDE DOORS



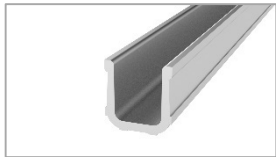
95681 – FLUSH PULL KIT



41215-18-21-24-30-36-60 – ALUMINIUM CHANNEL



43220-24-30-36-40-60 – ALUMINIUM CHANNEL



44215-18-21-24-30-36-60 – ALUMINIUM CHANNEL



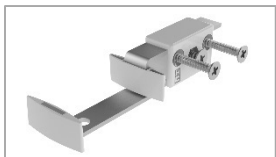
03937 – RATTLE PROOF GUIDE - 6MM ROLLER



03938 – RATTLE PROOF GUIDE - 13MM ROLLER



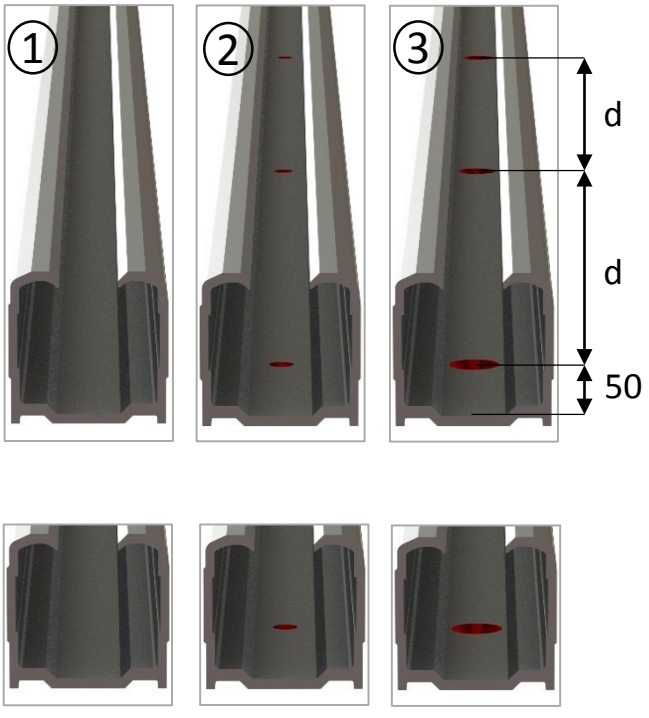
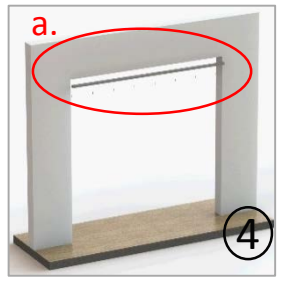
44319 – NYLON ROLLER GUIDE FOR METAL DOORS, PAIR



97780 – ADJUSTABLE SIDE FIXING GUIDE

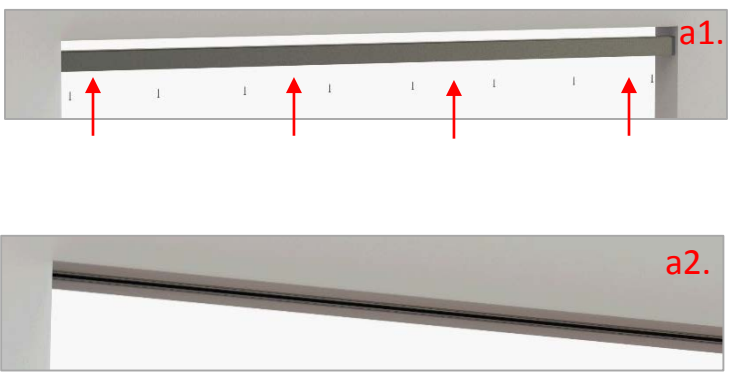
Step 1 Soffit Fixing

NOTE: Check if hardware can be inserted after fixing the track. If that is not possible, see Step 5 and afterwards continue.



Drill $\varnothing 5.5\text{mm}$ holes and countersink

Go underneath the opening, insert the track into place and secure with screws

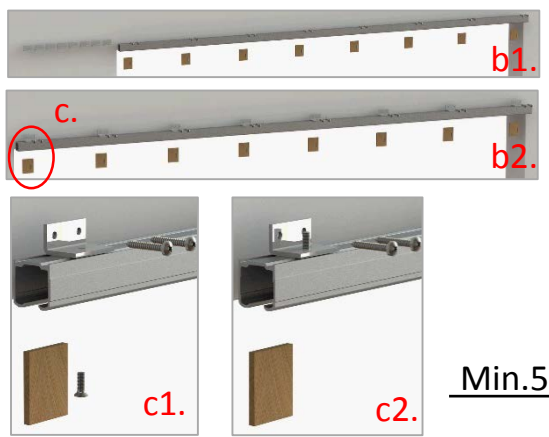
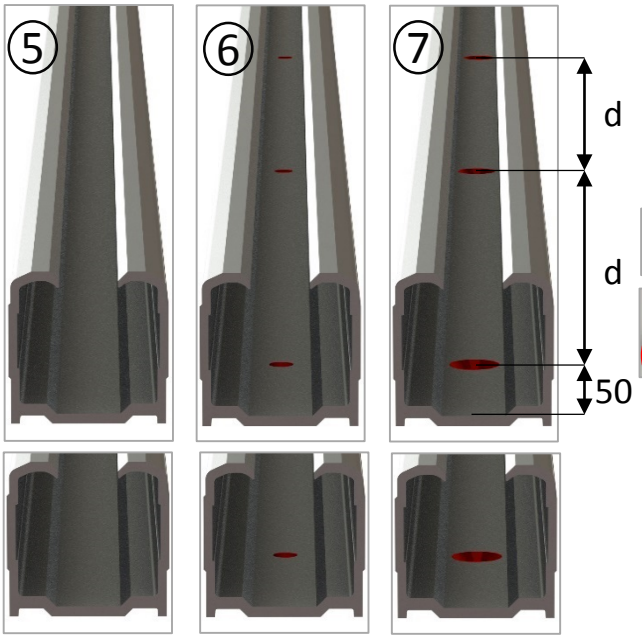
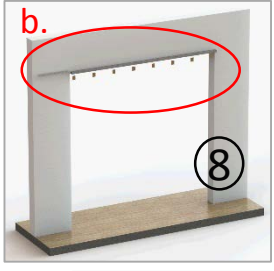


$d = 275\text{mm} - 300\text{mm}$

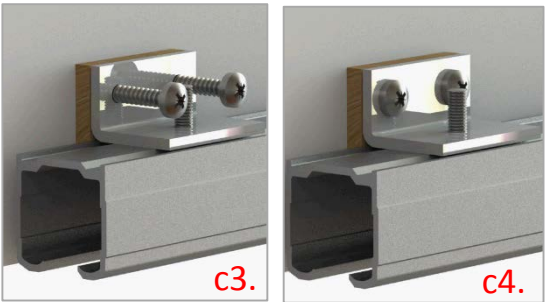
Step 2 Side Fixing

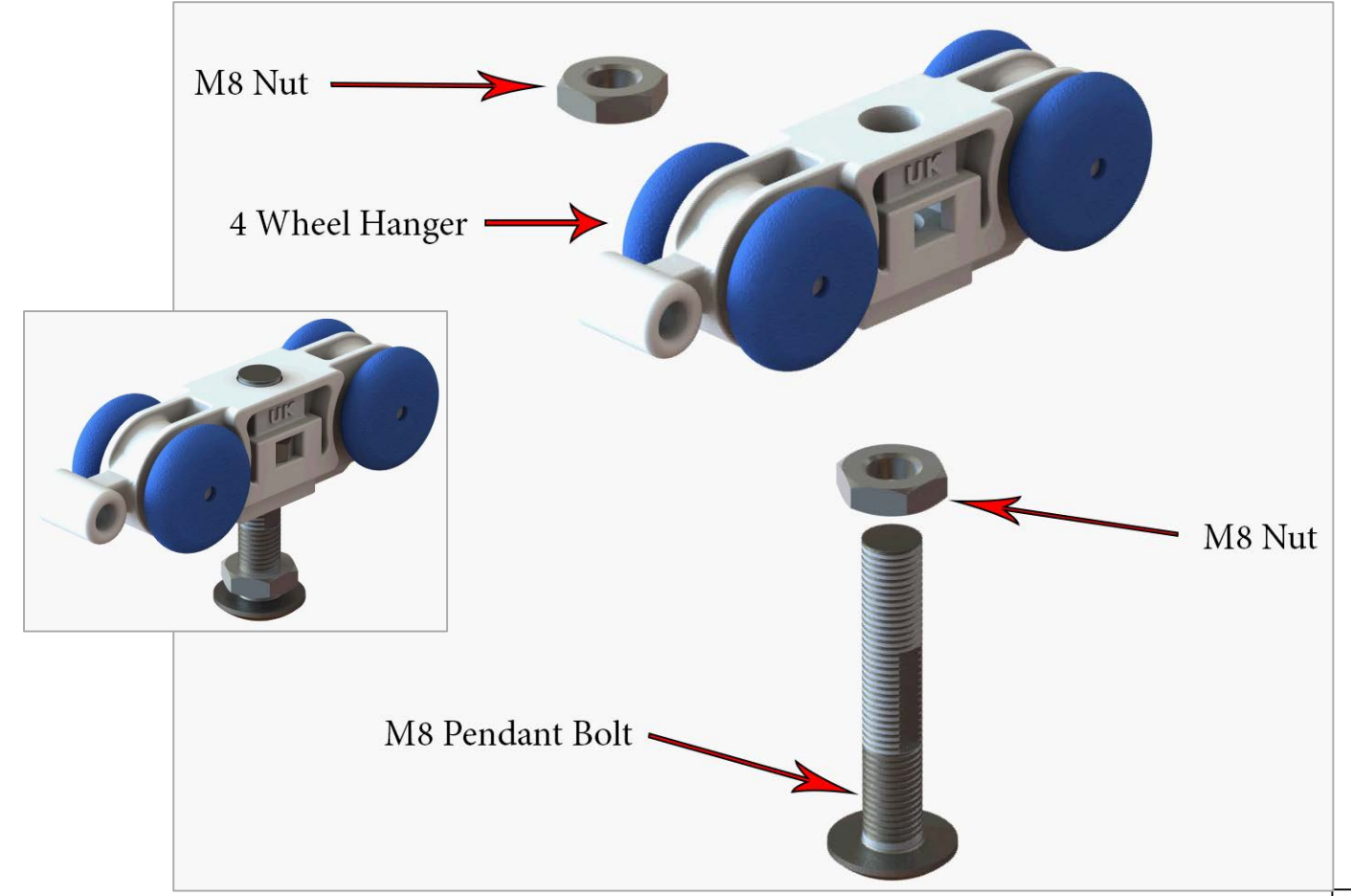
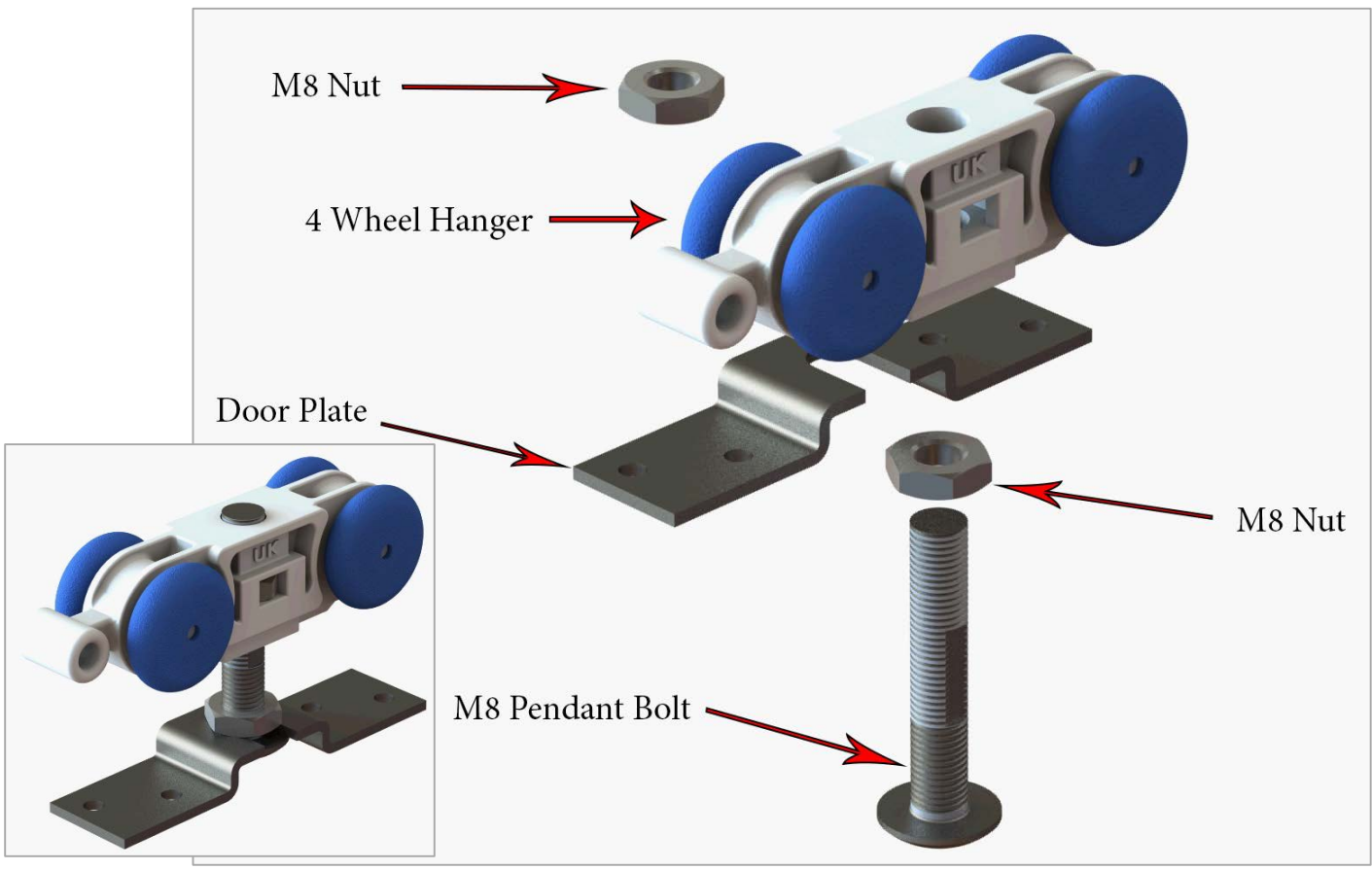
$d = 275\text{mm} - 300\text{mm}$

Drill $\varnothing 5.5\text{mm}$ holes and countersink

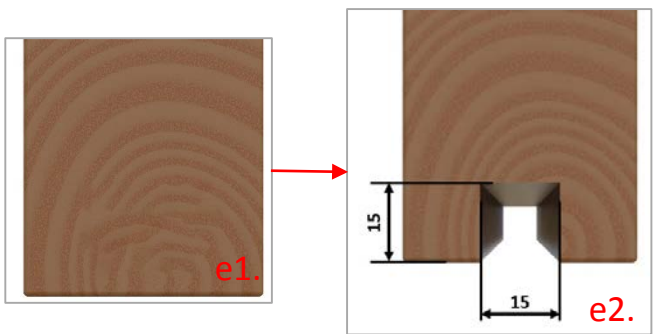
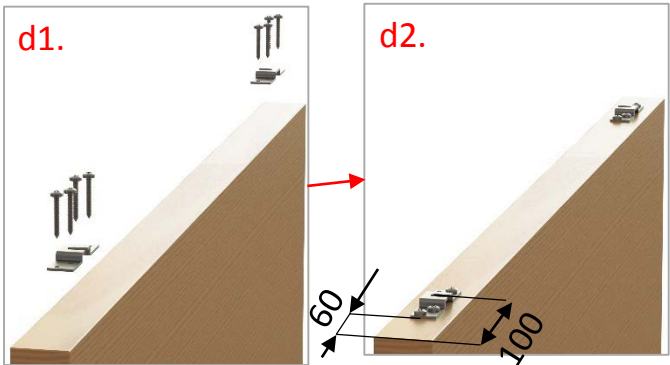
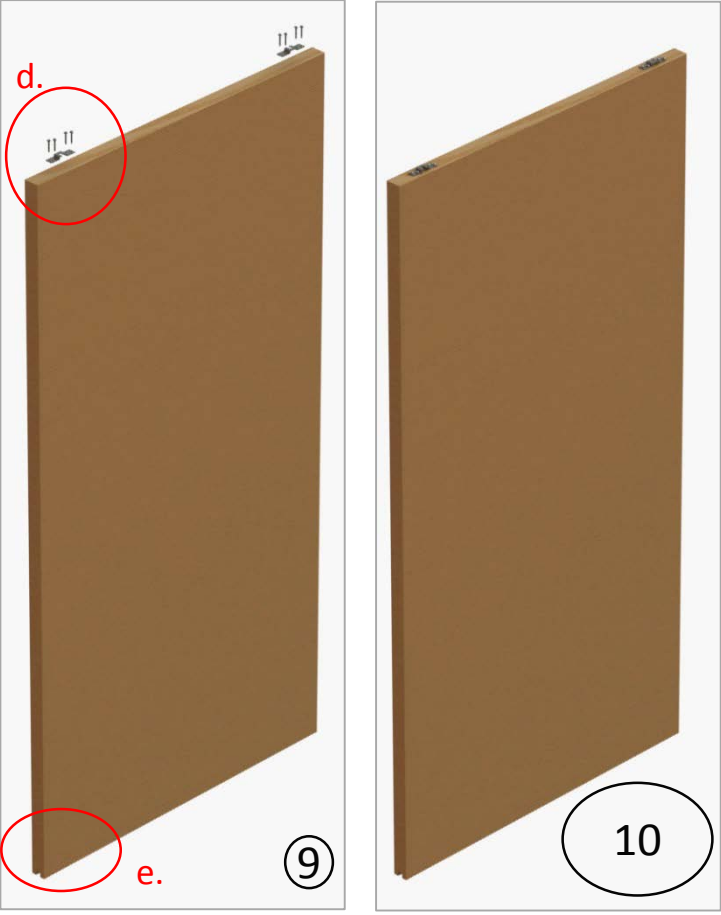


Slide brackets onto track and fix them with screw supplied (c1. and c2.). With track in a levelled position and secure with screws (c3. and c4.).

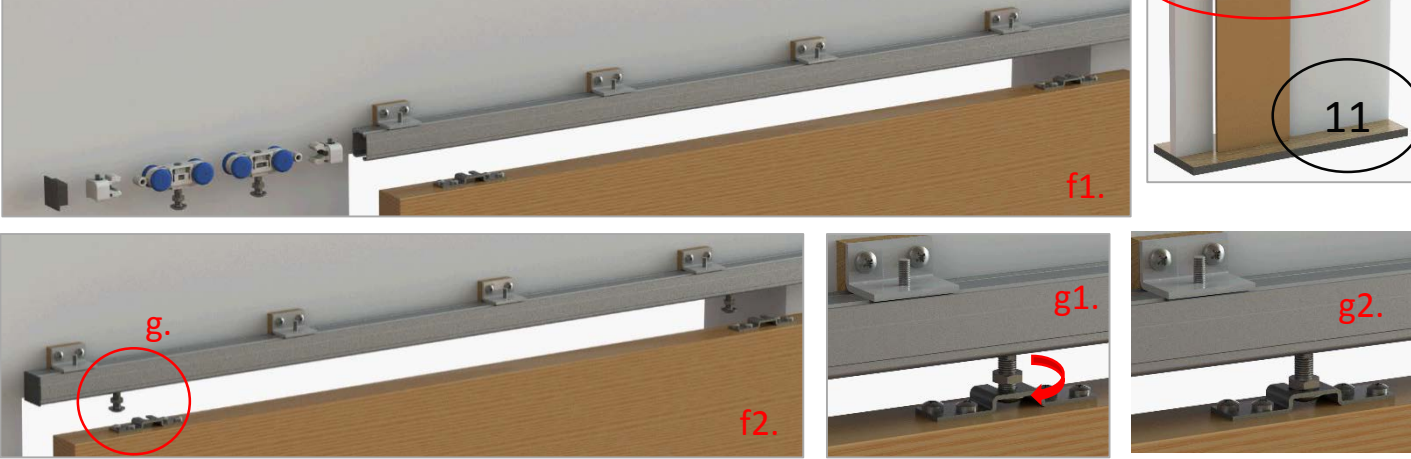




Step 5 Timber Door Preparation

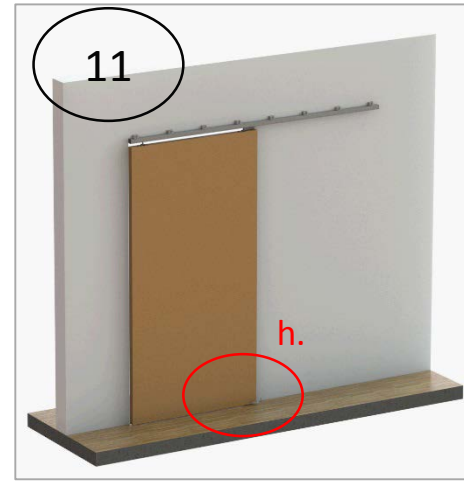


Step 5 Door Installation



Insert hardware into track (f1.). Insert door plate onto hanger bolt and secure position by tightening nut (g.). Adjust the position of stoppers until desired door stop position is set. Tighten door stopper screws to secure the position. Adjust door level by loosening nut (g1.) and screwing or unscrewing the hanger bolt, after adjusting retighten the nut (g1.)

Step 6 Fixing Bottom Guide



Place guide on the floor halfway in (h2.), secure with screw (h3.)

Straightaway 100

Fitting instructions



Coburn Sliding Systems Limited
Unit 1, Cardinal West, Cardinal Way,
Godmanchester, PE29 2XN, United Kingdom

Phone: +44 (0)20 8545 6680

Fax: +44 (0)20 8545 6720

E-mail: sales@coburn.co.uk

www.coburn.co.uk